

**PLEASE CHECK WWW.MOLEX.COM FOR LATEST PART INFORMATION**

**Part Number:** **0190030073**  
**Status:** **Active**  
**Description:** InsulKrimp™ Quick Disconnect, Female, for 24-26 (0.20-0.12), Mylar Tape, Tab 6.35mm (.250") x 0.81mm (.032")

**Documents:**

[Drawing \(PDF\)](#) [RoHS Certificate of Compliance \(PDF\)](#)  
[Product Specification PS-19902-008 \(PDF\)](#)

**General**

|                         |                   |
|-------------------------|-------------------|
| Product Family          | Quick Disconnects |
| Series                  | 19003             |
| Comments                | Funnel Entry      |
| Crimp Quality Equipment | Yes               |
| Product Name            | InsulKrimp™       |
| Type                    | Quick Disconnect  |

**Physical**

|                                |                       |
|--------------------------------|-----------------------|
| Barrel Type                    | Closed                |
| Color - Resin                  | Natural               |
| Gender                         | Female                |
| Glow-Wire Compliant            | No                    |
| Insulation                     | Nylon (PA)            |
| Lock to Mating Part            | None                  |
| Material - Metal               | Brass                 |
| Material - Plating Mating      | Tin                   |
| Material - Plating Termination | Tin                   |
| Material - Resin               | Nylon                 |
| Orientation                    | Straight              |
| Packaging Type                 | Adhesive Tape on Reel |
| Plating min: Mating (µin)      | 160                   |
| Plating min: Mating (µm)       | 4                     |
| Plating min: Termination (µin) | 160                   |
| Plating min: Termination (µm)  | 4                     |
| Polarized to Mating Part       | No                    |
| Tab Thickness                  | 0.81mm (.032")        |
| Tab Width                      | 6.35mm (.250")        |
| Temperature Range - Operating  | -65°C to +105°C       |
| Termination Interface: Style   | Crimp or Compression  |
| Wire Insulation Diameter       | 1.90mm (.075") max.   |
| Wire Size AWG                  | 24, 26                |
| Wire Size mm²                  | 0.12 - 0.20           |

**Electrical**

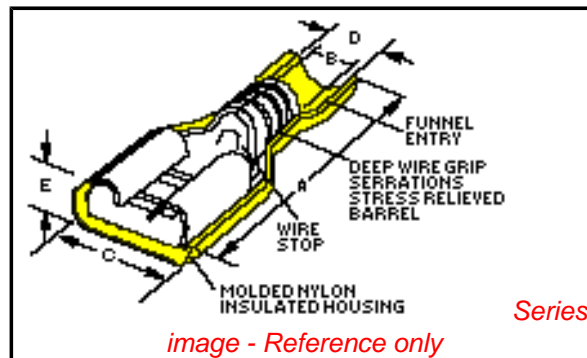
|                   |      |
|-------------------|------|
| Voltage - Maximum | 600V |
|-------------------|------|

**Material Info**

|                 |         |
|-----------------|---------|
| Old Part Number | M-2212T |
|-----------------|---------|

**Reference - Drawing Numbers**

|                       |              |
|-----------------------|--------------|
| Product Specification | PS-19902-008 |
| Sales Drawing         | SD-19003-005 |



**EU RoHS**

**ELV and RoHS Compliant**

**REACH SVHC**

Not Reviewed

**Halogen-Free**

Status

**Not Reviewed**

**Need more information on product environmental compliance?**

Email [productcompliance@molex.com](mailto:productcompliance@molex.com)  
 For a multiple part number RoHS Certificate of Compliance, [click here](#)

Please visit the [Contact Us](#) section for any non-product compliance questions.

**China RoHS**



**Search Parts in this Series**

[19003Series](#)

**Application Tooling | FAQ**

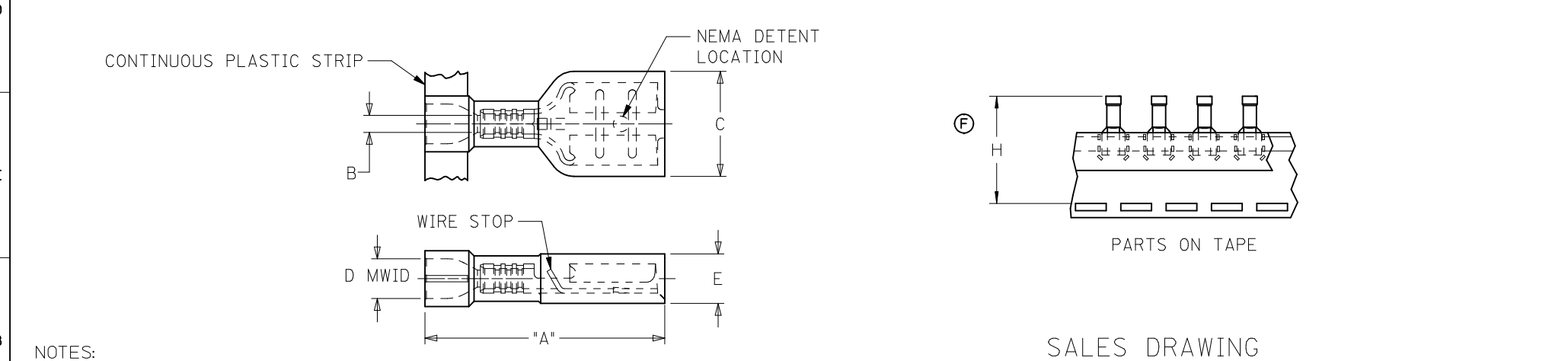
*Tooling specifications and manuals are found by selecting the products below. Crimp Height Specifications are then contained in the Application Tooling Specification document.*

**Global**

| Description  | Product #                  |
|--|----------------------------|
| Crimp Dies for the ATP-301 Air Crimping Press for Mylar Tape Mounted Terminals and MTA-106 Tape Applicator used in Wire Processing Machine | <a href="#">0192880233</a> |
| Mini-Mac™ Applicator   | <a href="#">0638850600</a> |

**PLEASE CHECK [WWW.MOLEX.COM](http://WWW.MOLEX.COM) FOR LATEST PART INFORMATION**

| 10                          | 9                         | 8                                | 7                              | 6                          | 5                        | 4              | 3                     | 2                | 19003        |           |           |          |           |          |             |
|-----------------------------|---------------------------|----------------------------------|--------------------------------|----------------------------|--------------------------|----------------|-----------------------|------------------|--------------|-----------|-----------|----------|-----------|----------|-------------|
| LOOSE PIECE MATERIAL NUMBER | LOOSE PIECE ENGRNG NUMBER | CONTINUOUS STRIP MATERIAL NUMBER | CONTINUOUS STRIP ENGRNG NUMBER | MYLAR TAPE MATERIAL NUMBER | MYLAR TAPE ENGRNG NUMBER | WIRE RANGE AWG | FITS MALE TAB SIZE    | INSULATION COLOR | STOCK THICK. | "A" MAX.  | "B" MIN.  | "C" MAX. | "D" MWID  | "E" MAX. | "H" NOMINAL |
| 190030071                   | M-2212                    | 190030106                        | M-2212C                        | 190030073                  | M-2212T                  | 26-24          | .250x.032 (6.35x0.81) | YELLOW           | .016/0.41    | .86/21.8  | .030/0.76 | .38/9.7  | .075/1.90 | .18/4.6  | 1.415/35.94 |
| 190030064                   | M-2210                    | 190030103                        | M-2210C                        | 190030067                  | M-2210T                  | 26-24          | .187x.020 (4.75x0.51) | YELLOW           | .016/0.41    | .78/19.8  | .030/0.76 | .32/8.1  | .075/1.90 | .16/4.1  | 1.375/34.93 |
| 190030068                   | M-2211                    | 190030104                        | M-2211C                        | 190030070                  | M-2211T                  | 26-24          | .187x.032 (4.75x0.81) | DK YELLOW        | .016/0.41    | .78/19.8  | .030/0.76 | .32/8.1  | .075/1.90 | .16/4.1  | 1.375/34.93 |
| 190030001                   | AA-2201                   | 190030105                        | AA-2201C                       | 190030003                  | AA-2201T                 | 22-18          | .250x.032 (6.35x0.81) | RED              | .016/0.41    | .86/21.8  | .058/1.47 | .38/9.7  | .135/3.43 | .18/4.6  | 1.415/35.94 |
| 190030036                   | AA-2213                   | 190030109                        | AA-2213C                       | 190030074                  | AA-2213T                 | 22-18          | .205x.020 (5.21x0.51) | RED              | .016/0.41    | .78/19.8  | .058/1.47 | .32/8.1  | .135/3.43 | .16/4.1  | 1.375/34.93 |
| 190030038                   | AA-2214                   | 190030110                        | AA-2214C                       | 190030075                  | AA-2214T                 | 22-18          | .205x.032 (5.21x0.81) | PINK             | .016/0.41    | .78/19.8  | .058/1.47 | .32/8.1  | .135/3.43 | .16/4.1  | 1.375/34.93 |
| 190030011                   | AA-2202                   | 190030107                        | AA-2202C                       | 190030013                  | AA-2202T                 | 22-18          | .187x.020 (4.75x0.51) | RED              | .016/0.41    | .78/19.8  | .058/1.47 | .32/8.1  | .135/3.43 | .16/4.1  | 1.375/34.93 |
| 190030017                   | AA-2203                   | 190030108                        | AA-2203C                       | 190030020                  | AA-2203T                 | 22-18          | .187x.032 (4.75x0.81) | PINK             | .016/0.41    | .78/19.8  | .058/1.47 | .32/8.1  | .135/3.43 | .16/4.1  | 1.375/34.93 |
| 190030024                   | AA-2204                   | 190030097                        | AA-2204C                       | 190030026                  | AA-2204T                 | 22-18          | .110x.020 (2.79x0.51) | RED              | .012/0.30    | .78/19.8  | .058/1.47 | .23/5.9  | .135/3.43 | .15/3.8  | 1.390/35.31 |
| 190030030                   | AA-2205                   | 190030098                        | AA-2205C                       | 190030032                  | AA-2205T                 | 22-18          | .110x.032 (2.79x0.81) | PINK             | .012/0.30    | .78/19.8  | .058/1.47 | .23/5.9  | .135/3.43 | .15/3.8  | 1.390/35.31 |
| 190030040                   | BB-2206                   | 190030041                        | BB-2206C                       | 190030042                  | BB-2206T                 | 16-14          | .250x.032 (6.35x0.81) | BLUE             | .016/0.41    | .86/21.8  | .083/2.10 | .38/9.7  | .160/4.06 | .18/4.6  | 1.415/35.94 |
| 190030062                   | BB-2215                   | 190030085                        | BB-2215C                       | 190030077                  | BB-2215T                 | 16-14          | .205x.020 (5.21x0.51) | BLUE             | .016/0.41    | .78/19.8  | .083/2.10 | .32/8.1  | .160/4.06 | .17/4.3  | 1.405/35.69 |
| 190030063                   | BB-2216                   | 190030086                        | BB-2216C                       | 190030078                  | BB-2216T                 | 16-14          | .205x.032 (5.21x0.81) | AQUA             | .016/0.41    | .78/19.8  | .083/2.10 | .32/8.1  | .160/4.06 | .17/4.3  | 1.405/35.69 |
| 190030050                   | BB-2207                   | 190030051                        | BB-2207C                       | 190030052                  | BB-2207T                 | 16-14          | .187x.020 (4.75x0.51) | BLUE             | .016/0.41    | .78/19.8  | .083/2.10 | .32/8.1  | .160/4.06 | .17/4.3  | 1.405/35.69 |
| 190030056                   | BB-2208                   | 190030057                        | BB-2208C                       | 190030058                  | BB-2208T                 | 16-14          | .187x.032 (4.75x0.81) | AQUA             | .016/0.41    | .78/19.8  | .083/2.10 | .32/8.1  | .160/4.06 | .17/4.3  | 1.405/35.69 |
| 196060002                   | 19606-0002                | 196060001                        | 19606-0001                     | 196060003                  | 19606-0003               | 12-10          | .250x.032 (6.35x0.81) | YELLOW           | .018/0.46    | 1.03/26.1 | .120/3.04 | .38/9.7  | .235/5.97 | .22/5.6  | 1.530/38.86 |



- NOTES:
- MATERIAL: TERMINAL: BRASS  
PLATING: ELECTRO-TIN  
FERRULE: BRASS  
PLATING: ELECTRO-TIN  
INSULATION: NYLON 6/6 94V-2.  
COLOR: SEE CHART
  - MWID = MAXIMUM WIRE INSULATION DIAMETER
  - PARTS ARE ROHS COMPLIANT.

|  |                               |  |  |   |                      |                           |                     |                        |           |                                       |  |
|--|-------------------------------|--|--|---|----------------------|---------------------------|---------------------|------------------------|-----------|---------------------------------------|--|
| <b>BB 187 TAPE HTS</b><br>EC NO: WNA2010-0619<br>TDR: WNETHRODAHL 2010/04/12<br>CHKD: JMACNEIL 2010/04/13<br>APPR: JMACNEIL 2010/06/01 | QUALITY SYMBOLS<br>▽=0<br>▽=0 | GENERAL TOLERANCES (UNLESS SPECIFIED)                |  | DIMENSION STYLE   |                      | SCALE                     | DESIGN UNITS        | THIRD ANGLE PROJECTION |           |                                       |  |
|  |                               |  |  | IN/MM   |                      | ---                       | INCH                |                        |           |                                       |  |
|  |                               |  |  | mm  | INCH                 | DRAWN BY                  | DATE                | TITLE                  |           |                                       |  |
|  |                               |  |  | 4 PLACES ± --- ± ---  | 3 PLACES ± --- ± --- | 2 PLACES ± --- ± ---      | 1 PLACE ± --- ± --- | BRE                    | 02/03/20  | INSULKRIMP FEMALE FIQD STANDARD FLARE |  |
|  |                               | ANGULAR ± ---°                                       |  | APPROVED BY   |                      | DATE                      | MATERIAL NO.        |                        |           |                                       |  |
|  |                               | DRAFT WHERE APPLICABLE MUST REMAIN WITHIN DIMENSIONS |  | RWD   |                      | 02/03/20                  | DOCUMENT NO.        |                        |           |                                       |  |
|  |                               |  |  | SEE CHART   |                      | MOLDEX MOLEX INCORPORATED |                     |                        | SHEET NO. |                                       |  |
|  |                               |  |  | THIS DRAWING CONTAINS INFORMATION THAT IS PROPRIETARY TO MOLEX INCORPORATED AND SHOULD NOT BE USED WITHOUT WRITTEN PERMISSION |                      | SD-19003-005              |                     |                        | 1 OF 1    |                                       |  |